

BLDC PUMP

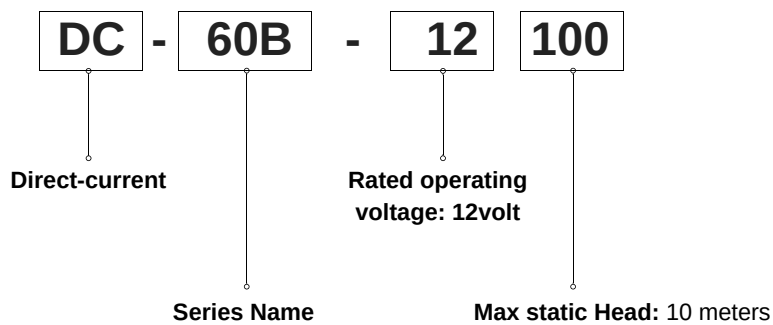


Rated Voltage: DC 12V/24V
Max Static Head: 10M / 12M
Max Flow rate: 3100LPH / 3450LPH
Input Power: 80W/100W
Inlet Outer Diameter: 25 mm
Outlet Outer Diameter: 25 mm
Size: 100x150.3x123mm
Weight: about 900g
Material: PA66+30%GF
Waterproof: IP68
Noise: less than 40dB
Liquid Temperature: -40~125°C

Main Features

- Sine Wave Silent Technology, Noise less than 40dB;
- Default with water shortage and stuck protection functions;
- Brushless DC motor, Magnetic Driven, Small size & High Efficiency;
- Long time continuous working, lifespan more than 20000 hours;
- Safety - no spark, Explosion-proof, IP68, 100% waterproof;
- Can be used to pump water, oil, acid and alkali solution.

Model Code



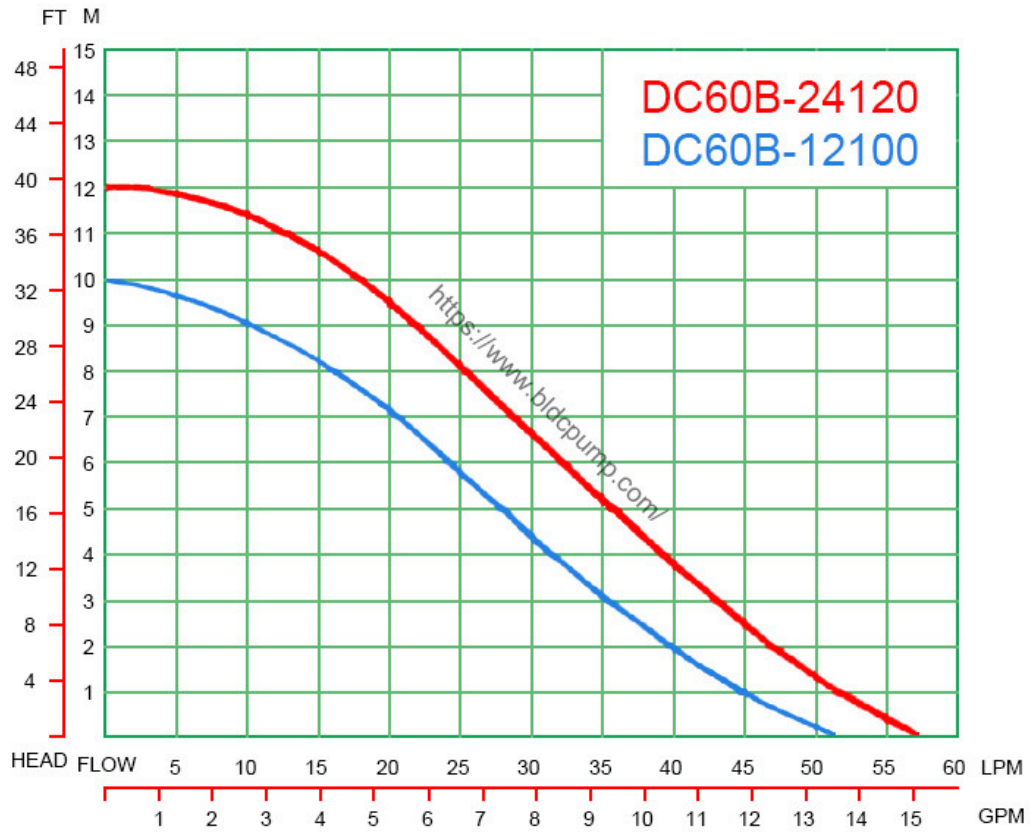
Mode List

Model	Voltage (V)	Current (A)	Max flow (L/H)	Max head (M)
DC60B-12100	12	6.6	3100	10
DC60B-24120	24	4.2	3450	12

Tips:

1. Speed control function is optional. Speed adjustment way could be the analog signal, or PWM signal, or a potentiometer knob.
2. Contact us for other customized service requirements.

Performance Curve



Dimensions

