

## DC40A



Most models in the 40 series have existed since our company was founded. Their quality is stable and reliable after ten years of improvement and iteration.

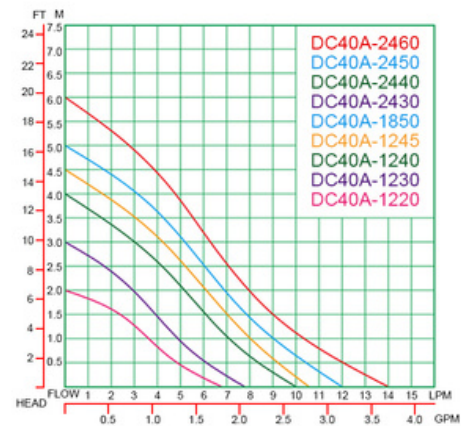
## FEATURES

- Brushless DC motor, electronic commutation, no mechanical wear
- Compact size & high efficiency
- Long lifespan for 24 hours continuous operation
- No spark, low voltage operation, safety
- Low noise, maintenance-free
- Magnetic driven, stator coil & circuit board are entirely isolated from the liquid by the isolation layer
- Waterproof grade IP68
- Easy installation & portable
- Wide voltage operation, flexible customized functions
- Suitable for water, oil, acid, and alkali solution

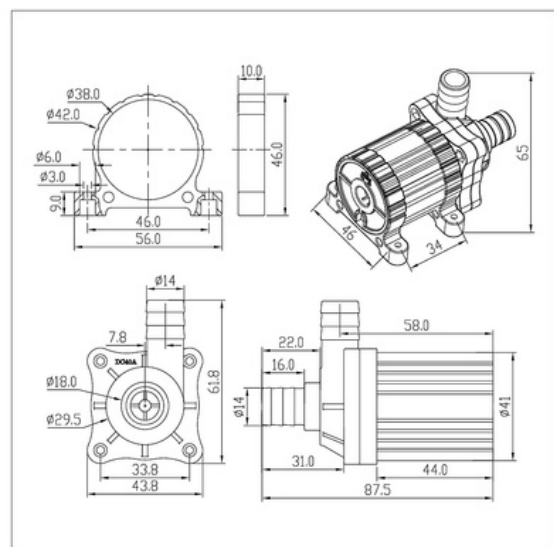
## MAIN SPECIFICATIONS

- Inlet (Outer diameter): 14mm
- Outlet (Outer diameter): 14mm
- Body Shell Material: PPO
- Cover Shell Material: PA66+30%GF
- Impeller Material: POM
- Dimensions: 87.5×61.8×43.8mm
- Weight: about 220 g
- Max Working Temperature: 60°C

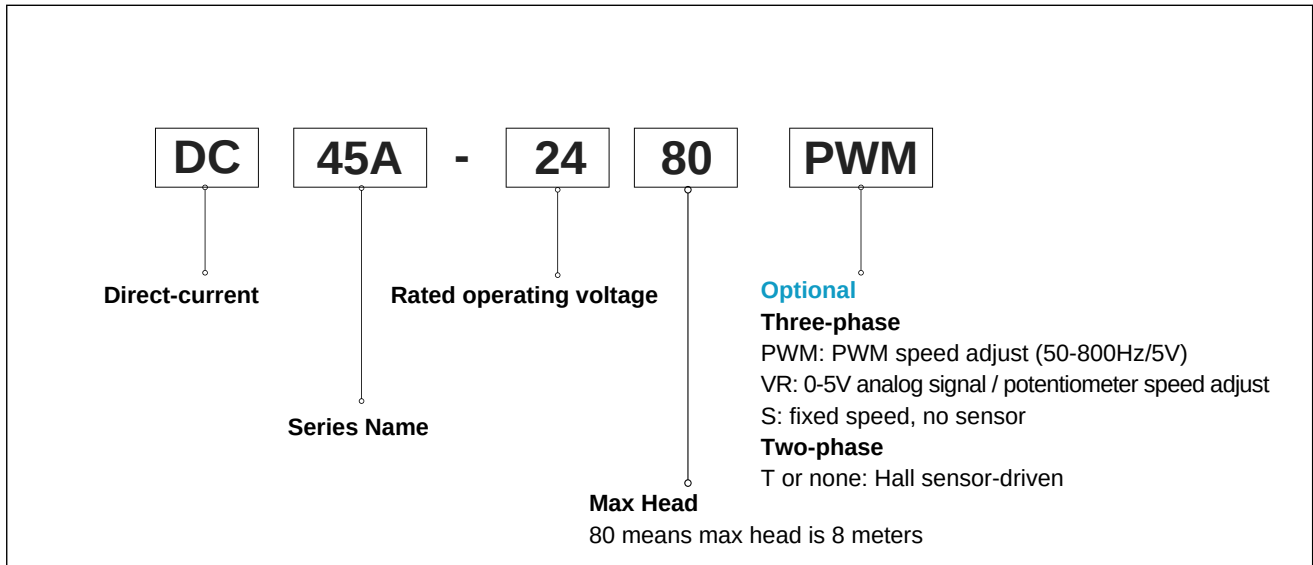
## PERFORMANCE CURVE



## DIMENSIONS



## MODEL CODE INSTRUCTION



## MODE LIST

Model	Rated Voltage	Operating Voltage Range	Rated Current	Max Flow	Max Head
DC40A-1220	DC12V	DC5-12V	0.45A	400L/H	2M
DC40A-1230	DC12V	DC5-12V	0.8A	500L/H	3M
DC40A-1240	DC12V	DC5-12V	1.1A	600L/H	4M
DC40A-1245	DC12V	DC5-12V	1.2A	620L/H	4.5M
DC40A-1850	DC18V	DC5-18V	1.2A	720L/H	5M
DC40A-2430	DC24V	DC12-26V	0.4A	500L/H	3M
DC40A-2440	DC24V	DC12-26V	0.65A	600L/H	4M
DC40A-2450	DC24V	DC12-26V	0.9A	720L/H	5M
DC40A-2460	DC24V	DC12-26V	1.2A	840L/H	6M