

DC30A



DC30A is a 12 volt DC electric mini water pump with excellent head pressure. It is widely acclaimed for its tiny size for flowing a good amount of water.

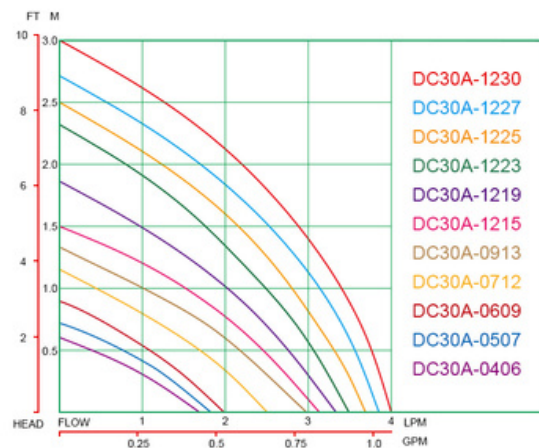
FEATURES

- Brushless DC motor, electronic commutation, no mechanical wear
- Compact size & high efficiency
- Long lifespan for 24 hours continuous operation
- No spark, low voltage operation, safety
- Low noise, maintenance-free
- Magnetic driven, stator coil & circuit board are entirely isolated from the liquid by the isolation layer
- Waterproof grade IP68
- Easy installation & portable
- Wide voltage operation, flexible customized functions
- Suitable for water, oil, acid, and alkali solution

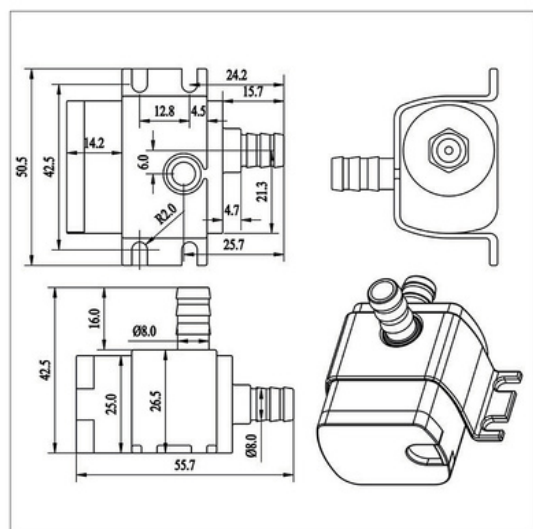
MAIN SPECIFICATIONS

- Inlet (Outer diameter): 8 mm
- Outlet (Outer diameter): 8 mm
- Shell Material: ABS (optional)
- Impeller Material: POM
- Weight: about 70 g
- Max Working temperature: 60°C

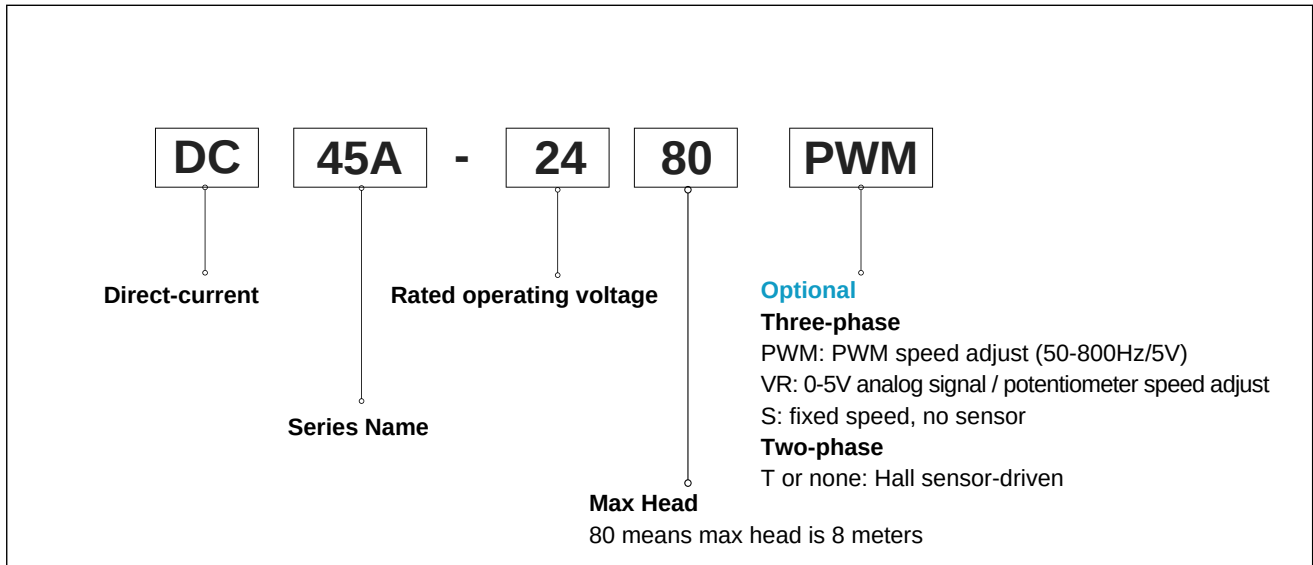
PERFORMANCE CURVE



DIMENSIONS



MODEL CODE INSTRUCTION



MODE LIST

Model	Rated Voltage	Operating Voltage Range	Rated Current	Max Flow	Max Head
DC30A-0406	DC4.5V	DC4.5V	0.10A	100L/H	0.6M
DC30A-0609	DC6V	5-6V	0.11A	120L/H	0.9M
DC30A-0913	DC9V	5-9V	0.11A	170L/H	1.3M
DC30A-1215	DC12V	5-12V	0.18A	200L/H	1.5M
DC30A-1219	DC12V	5-12V	0.22A	210L/H	1.9M
DC30A-1225	DC12V	5-12V	0.31A	230L/H	2.5M
DC30A-1230	DC12V	5-12V	0.40A	240L/H	3.0M

